

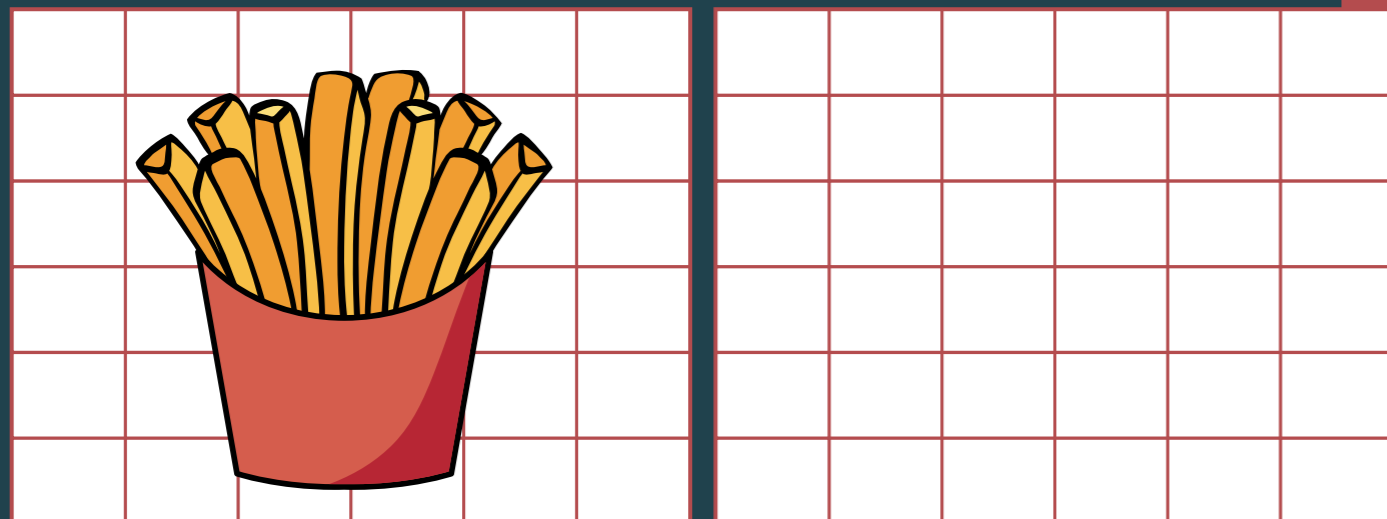
FIND ME

DARTS	SUSHI	PIZZA
SHUFL	MILKSHAKE	DICE
BURGER	WAFFLE	FRIES
HAPPY	POKÉ	HORSE
PLAY	GAMES	CARNIVAL

K	A	L	H	O	R	S	E	G	T	D	I	C	E
M	B	N	Y	P	I	Z	Z	A	D	C	P	G	U
M	G	Y	U	L	V	L	V	M	A	G	T	M	D
K	J	A	A	G	E	A	J	C	R	T	N	S	Q
R	F	P	M	B	K	N	W	A	T	J	A	Q	E
O	R	R	M	E	P	X	K	A	S	P	I	Y	H
G	D	P	I	I	S	W	W	W	F	D	O	I	U
G	Y	D	Z	E	L	B	J	O	N	F	A	K	Q
S	U	S	H	I	S	K	U	G	I	E	L	W	E
Q	J	D	H	Q	Q	N	S	R	H	M	W	E	T
Q	S	H	U	F	L	K	Z	H	G	J	F	D	P
H	A	P	P	Y	N	E	A	Q	A	E	D	A	L
C	I	C	A	R	N	I	V	A	L	K	R	O	A
X	P	M	N	W	V	N	S	B	X	V	E	N	Y

DRAW ME

REDRAW AND COLOUR IN THE FRIES ON THE RIGHT SIDE

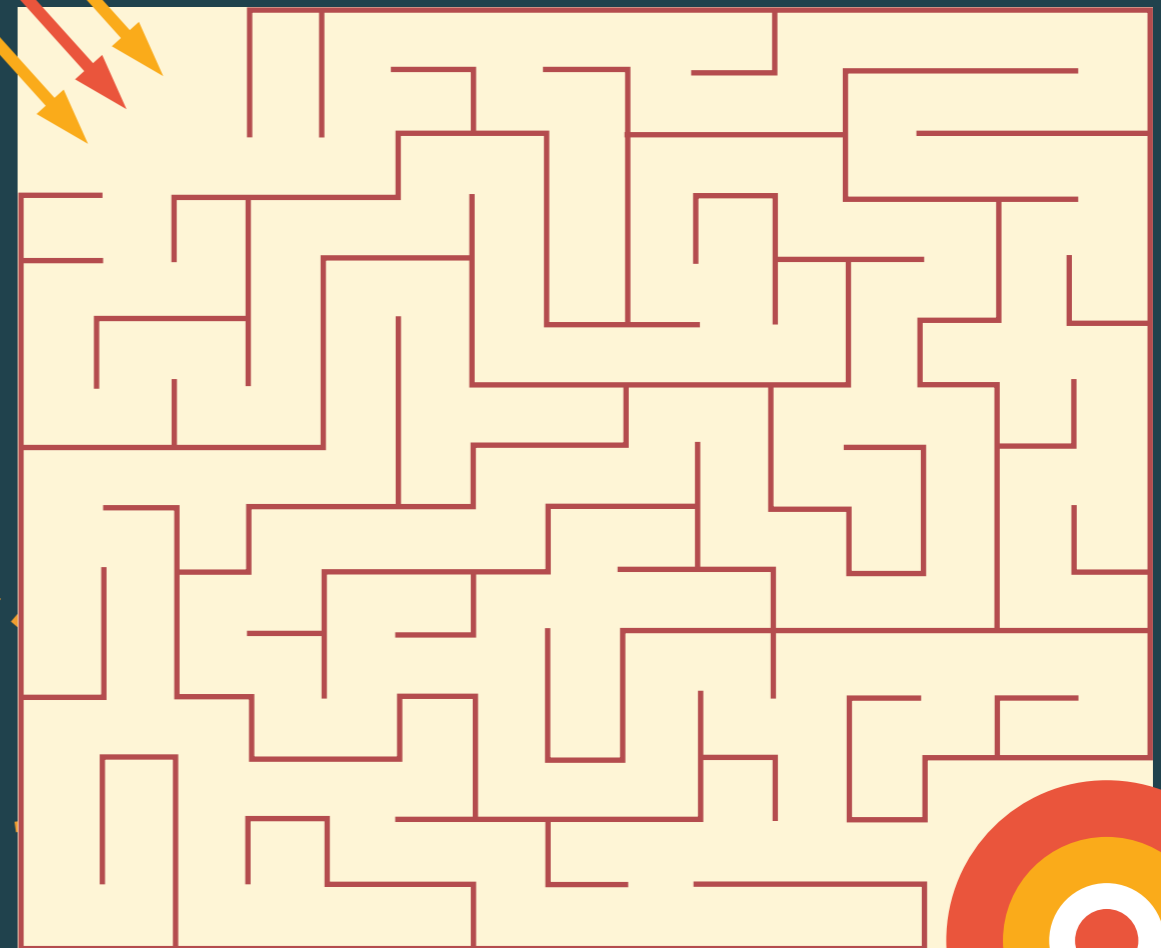


HAPPY FOLKS

DRINK • EAT • PLAY

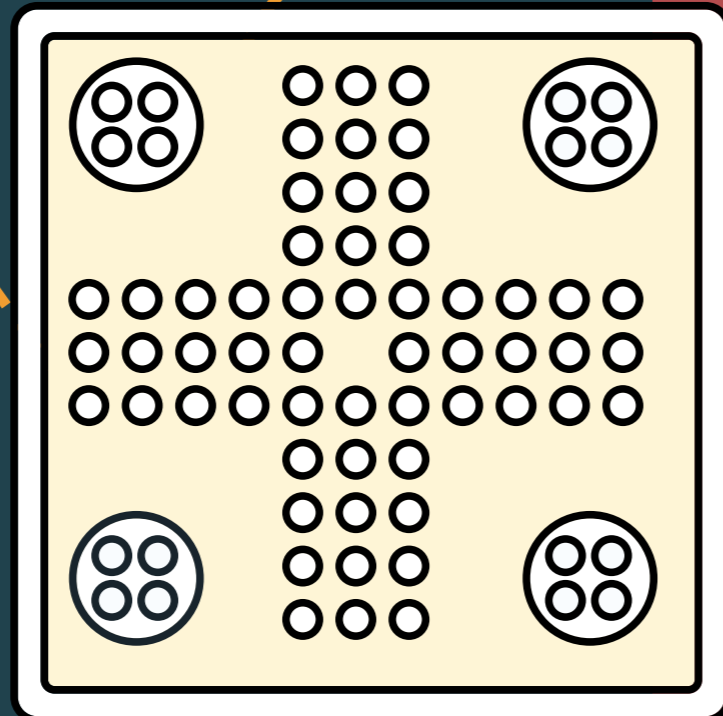
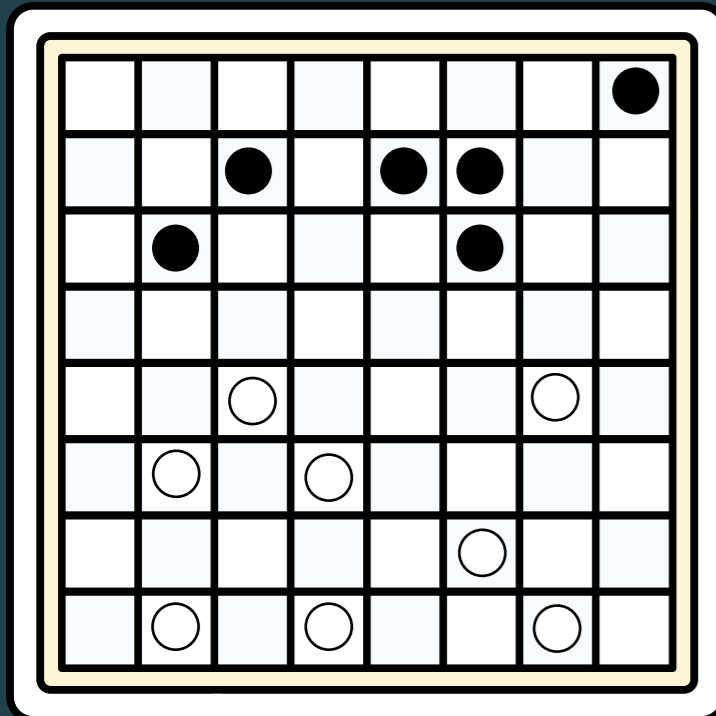
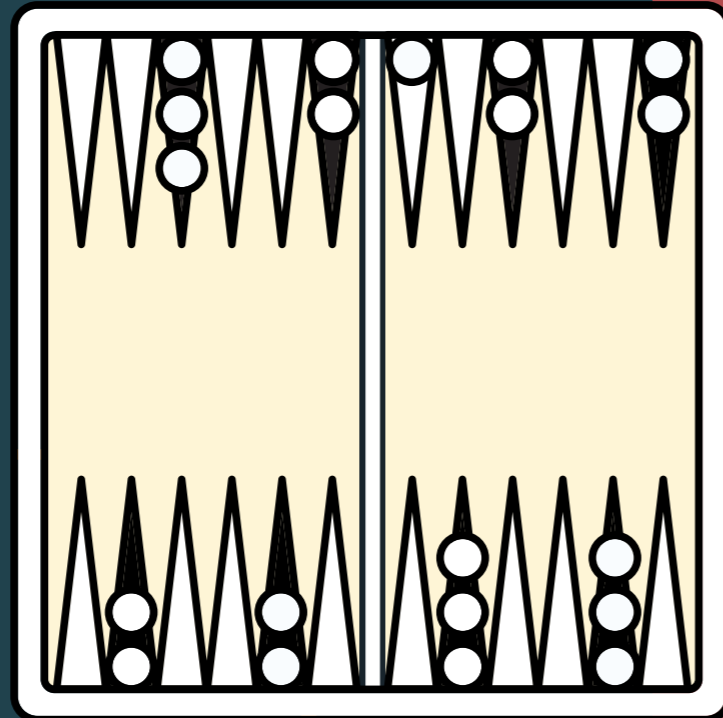
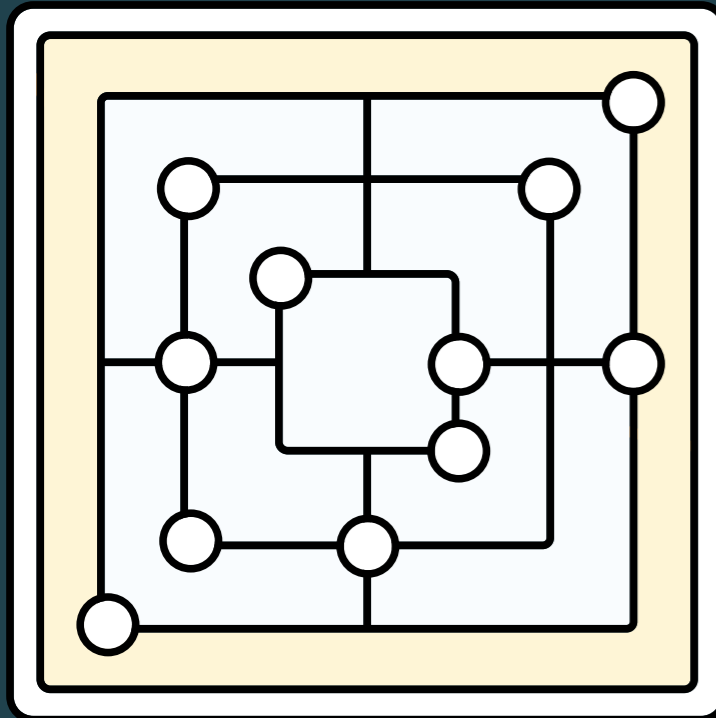
KIDDIES

HELP GUIDE THE DARTS TO THE DARTBOARD!



COLOUR ME

COLOUR IN THESE BOARD GAMES AND JOIN IN THE FUN!



CHICKEN STRIPS 70



CHICKEN OR BEEF BURGER 74



FRIED FISH 74



FISH NUGGETS 72



CALAMARI STRIPS 70



STEAK 88



MARGHERITA PIZZA 78



SOMETHING SWEET

CHOCOLATE BROWNIE & ICE CREAM R43
 ICE CREAM & CHOCOLATE SAUCE R35
 MILKSHAKES R34

ONLY AVAILABLE TO KIDS 12 YEARS AND UNDER

Some meals may contain sesame seeds or nuts. Fish may contain bones and all weights are approximate, uncooked weights. Unfortunately, no cheques accepted. Prices include VAT. Service charge not included, however a 10% service charge will be added for groups of 8 or more. Food presentation may differ from photographs.